

1 BATHROOM - WEST ELEVATION
SCALE: 1/2"=1'-0"

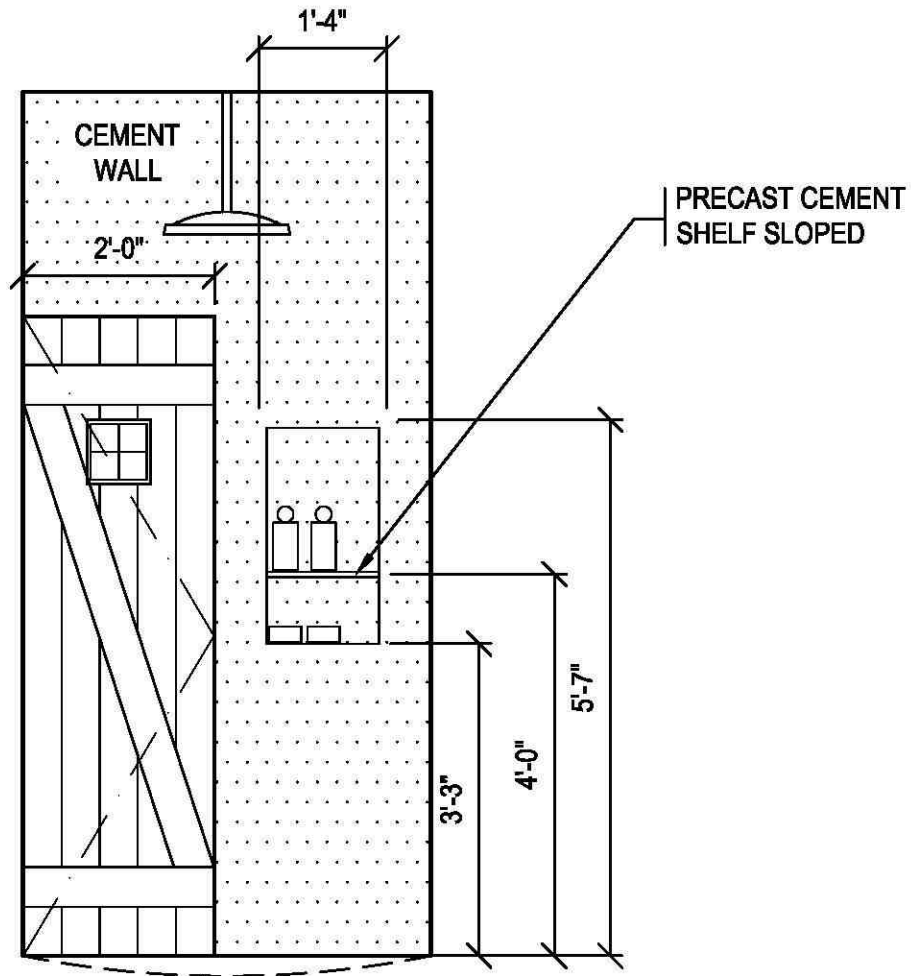
larsonandpaul ARCHITECTS
118 CHAMBERS STREET - 4th FLOOR
NEW YORK, NY 10007
TEL 212.587.1900 FAX 212.587.1900

HUNT RESIDENCE
1175 N. ANSON RD.
STANFORDVILLE, NY 12581
REVISIONS: NONE

BATHROOM - WEST ELEVATION

PROJ. #:	11-04
DRWN BY:	DS
ISSUED:	1/11/2013
SCALE:	1 1/2"=1'-0"

**SK
1**



1 BATHROOM - SOUTH - INTERIOR ELEVATION
SCALE: 1/4"=1'-0"

larsonandpaul ARCHITECTS

118 CHAMBERS STREET - 4th FLOOR
NEW YORK, NY 10007

TEL 212.587.1900 FAX 212.587.1900

HUNT RESIDENCE

1175 N. ANSON RD.
STANFORDVILLE, NY 12581

REVISIONS: NONE

**BATHROOM - SOUTH INTERIOR
ELEVATION**

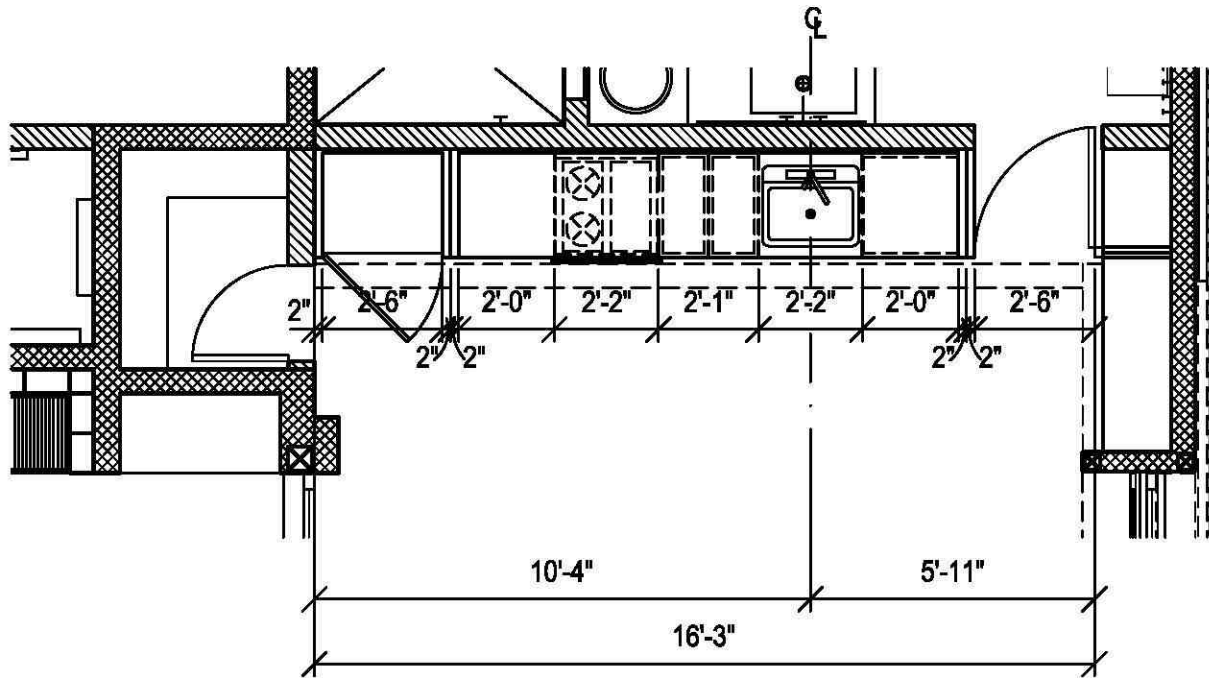
PROJ. #: 11-04

DRWN BY: DS

ISSUED: 1/11/2013

SCALE: 1 1/2"=1'-0"

**SK
2**



1 KITCHEN - FIRST FLOOR PLAN
SCALE: 1/4"=1'-0"

larsonandpaul ARCHITECTS

118 CHAMBERS STREET - 4th FLOOR
NEW YORK, NY 10007
TEL 212.587.1900 FAX 212.587.1900

HUNT RESIDENCE

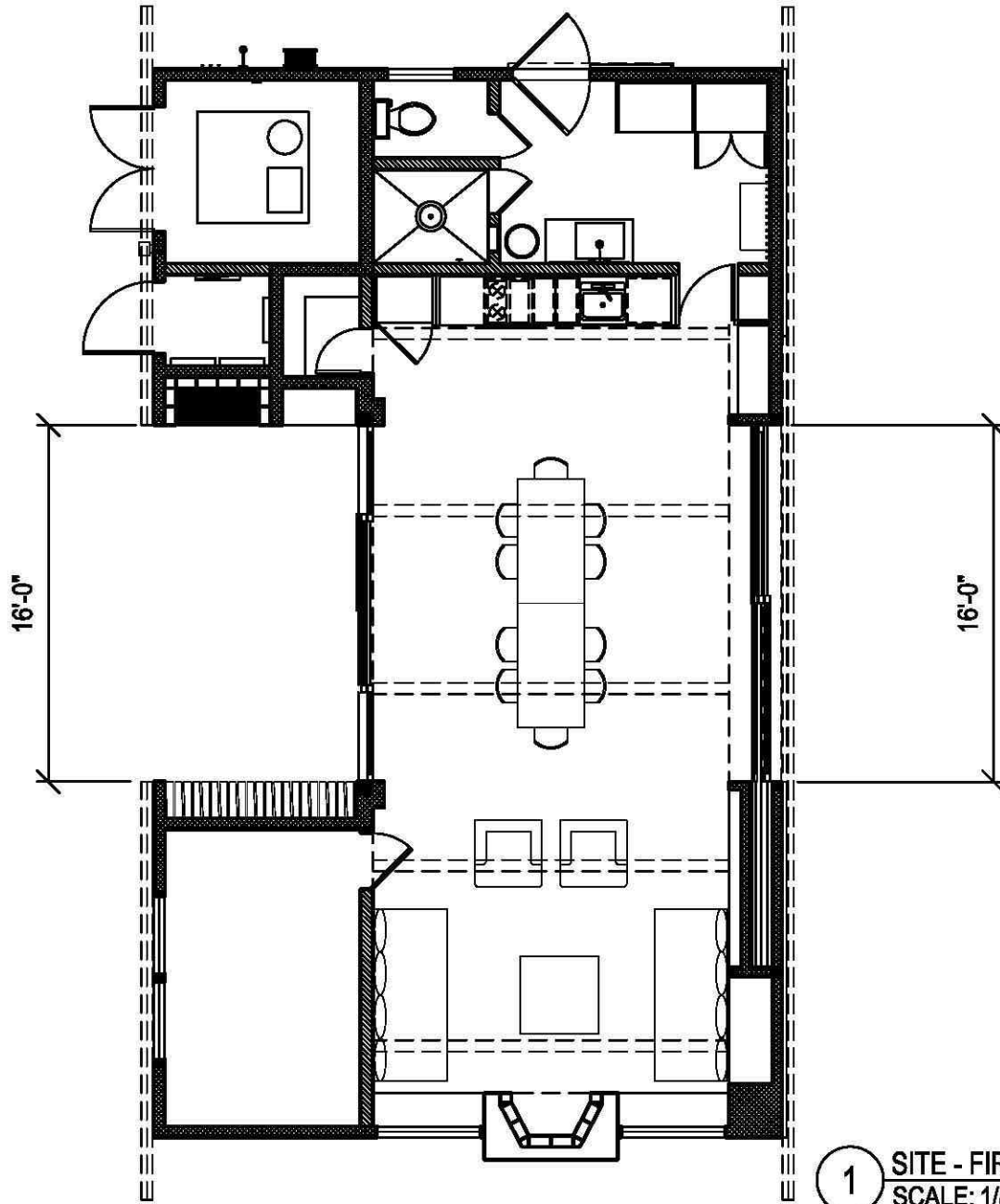
1175 N. ANSON RD.
STANFORDVILLE, NY 12581

REVISIONS: NONE

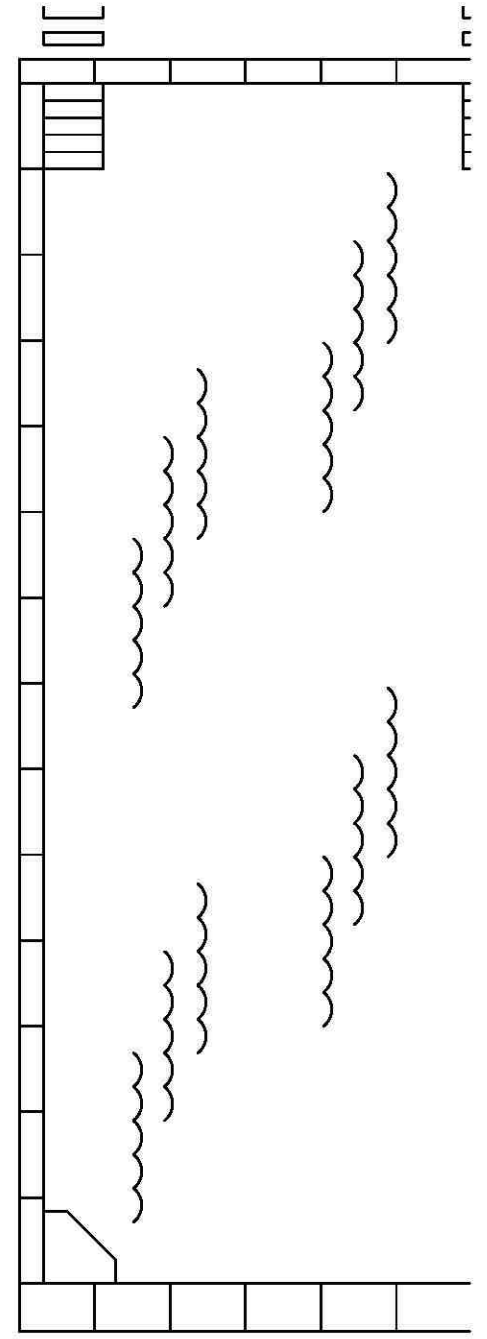
KITCHEN - FIRST FLOOR PLAN

PROJ. #:	11-04
DRWN BY:	DS
ISSUED:	1/11/2013
SCALE:	1 1/2"=1'-0"

**SK
3**



1 SITE - FIRST FLOOR PLAN
SCALE: 1/8"=1'-0"



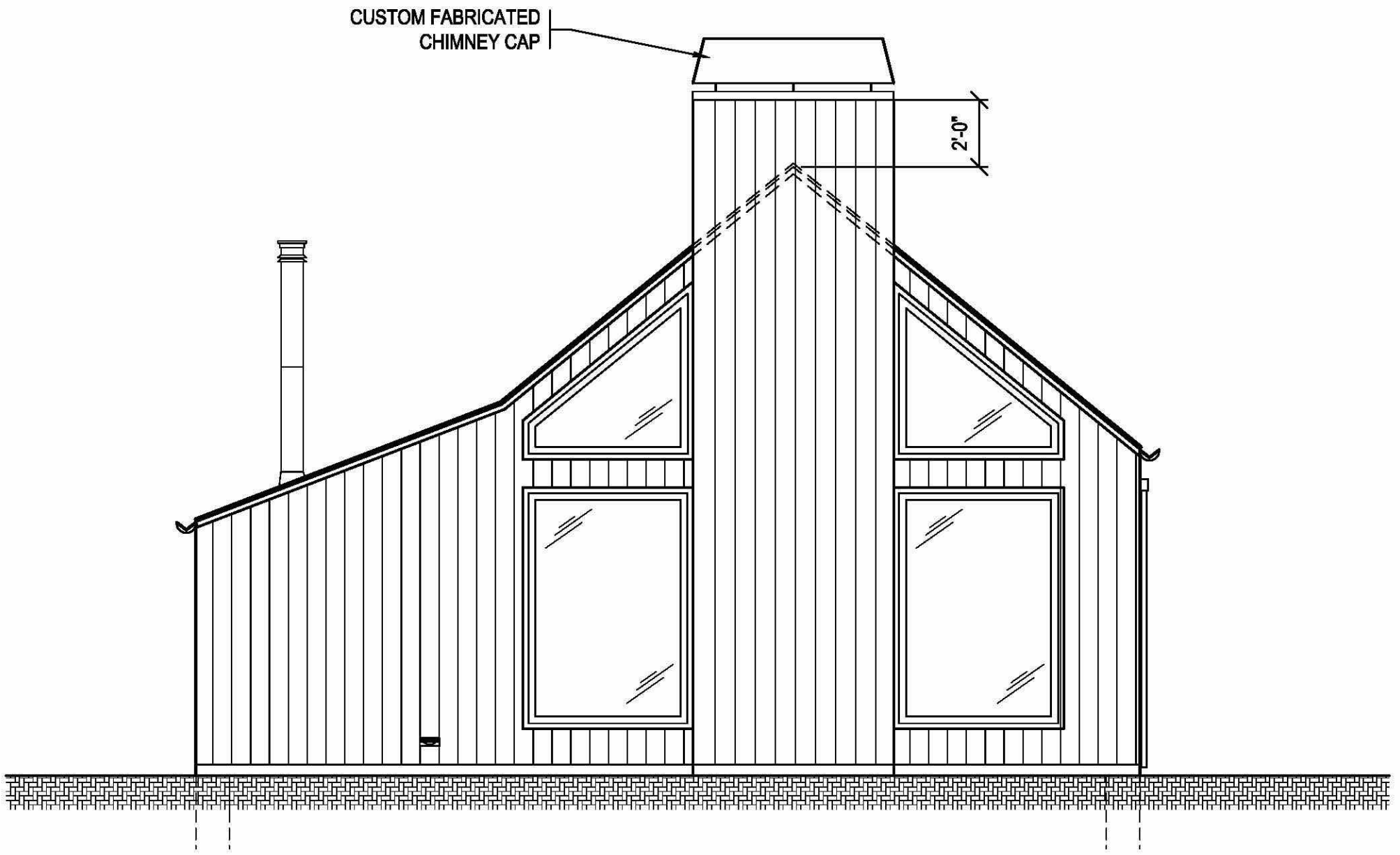
larsonandpaul ARCHITECTS
118 CHAMBERS STREET - 4th FLOOR
NEW YORK, NY 10007
TEL 212.587.1900 FAX 212.587.1900

HUNT RESIDENCE
1175 N. ANSON RD.
STANFORDVILLE, NY 12581
REVISIONS: NONE

SITE - FIRST FLOOR PLAN

PROJ. #:	11-04
DRWN BY:	DS
ISSUED:	1/11/2013
SCALE:	1 1/2"=1'-0"

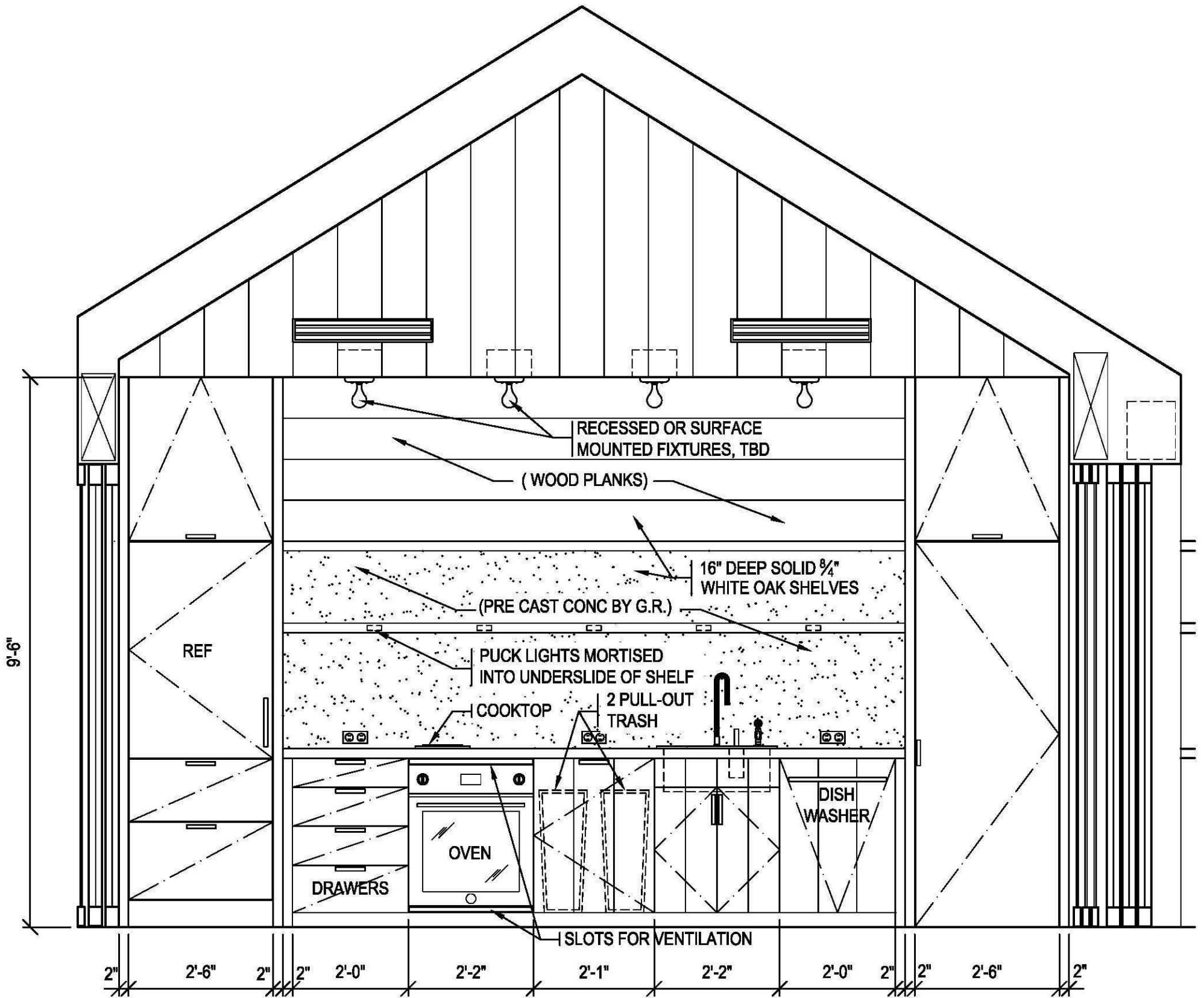
**SK
4**



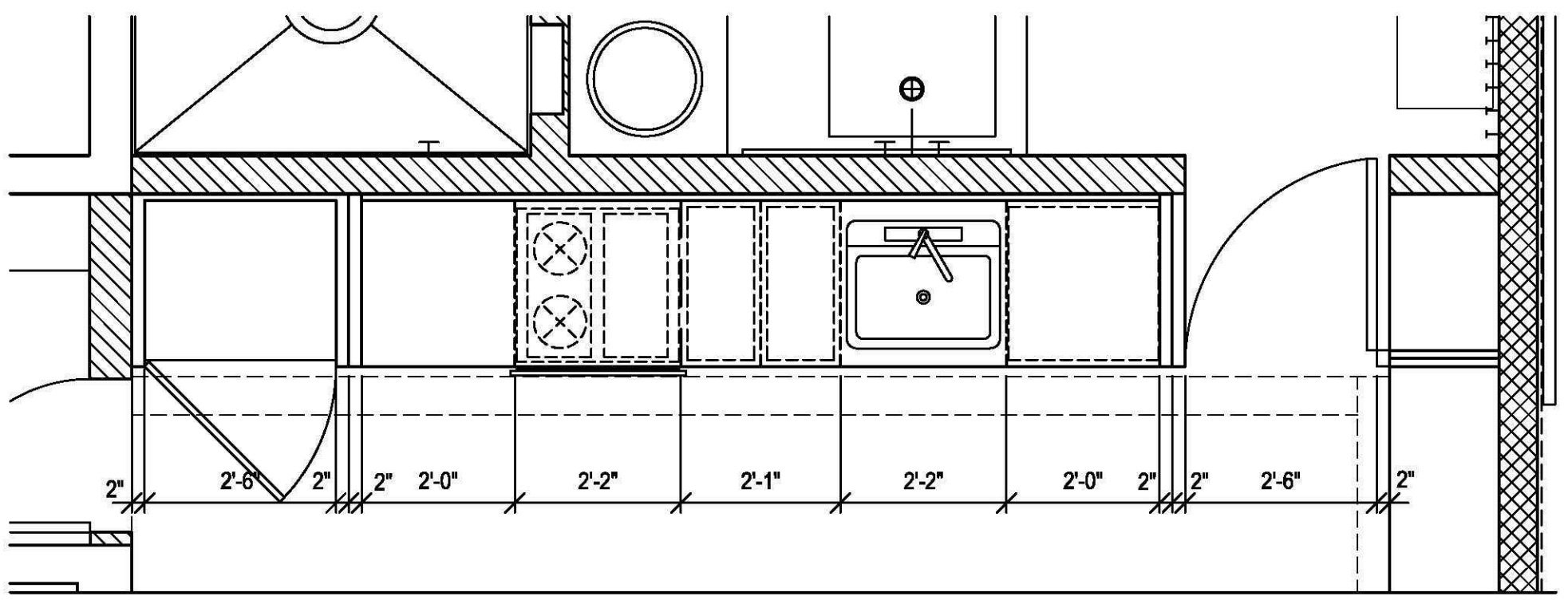
1 EXTERIOR - WEST ELEVATION
SCALE: 1/2"=1'-0"

larsonandpaul ARCHITECTS 118 CHAMBERS STREET - 4th FLOOR NEW YORK, NY 10007 TEL 212.587.1900 FAX 212.587.1900	HUNT RESIDENCE 1175 N. ANSON RD. STANFORDVILLE, NY 12581	EXTERIOR - WEST ELEVATION	PROJ. #: 11-04
	REVISIONS: NONE		DRWN BY: DS
			ISSUED: 1/11/2013
			SCALE: 1 1/2"=1'-0"

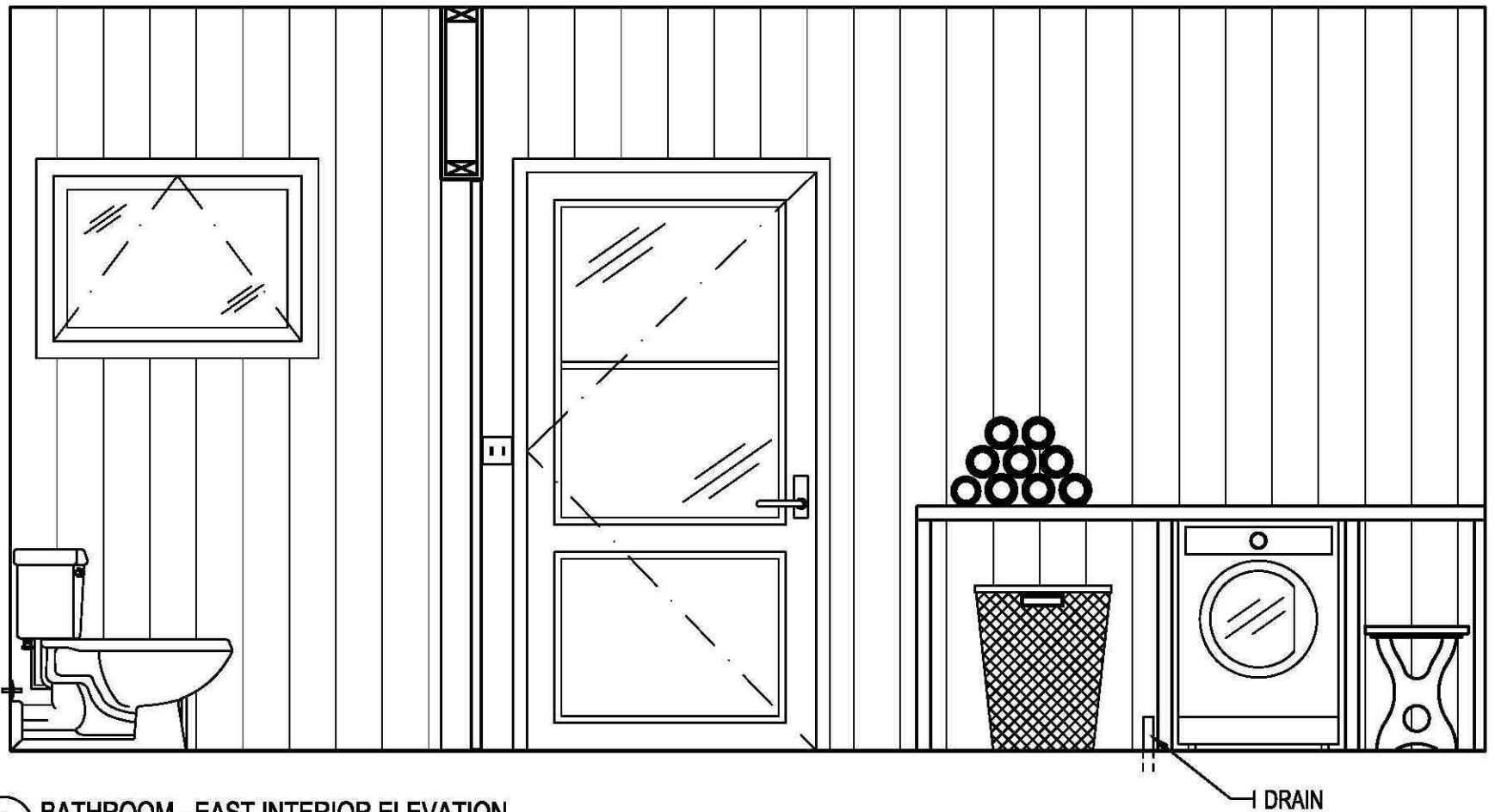
SK
5



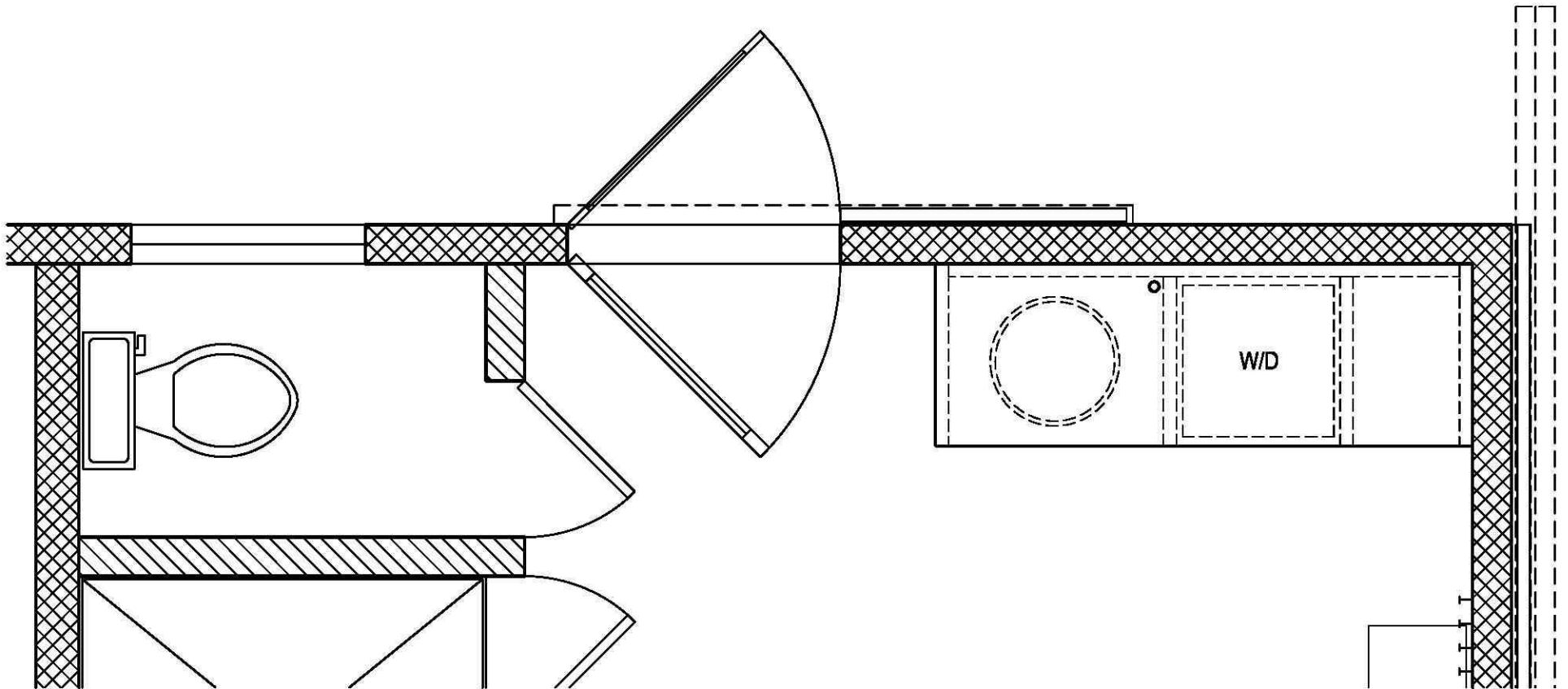
2 KITCHEN - EAST INTERIOR ELEVATION
SCALE: 1/2"=1'-0"



1 KITCHEN - PLAN LAYOUT
SCALE: 1/2"=1'-0"



2 BATHROOM - EAST INTERIOR ELEVATION
SCALE: 1/2"=1'-0"



1 BATHROOM - PLAN LAYOUT
SCALE: 1/2"=1'-0"